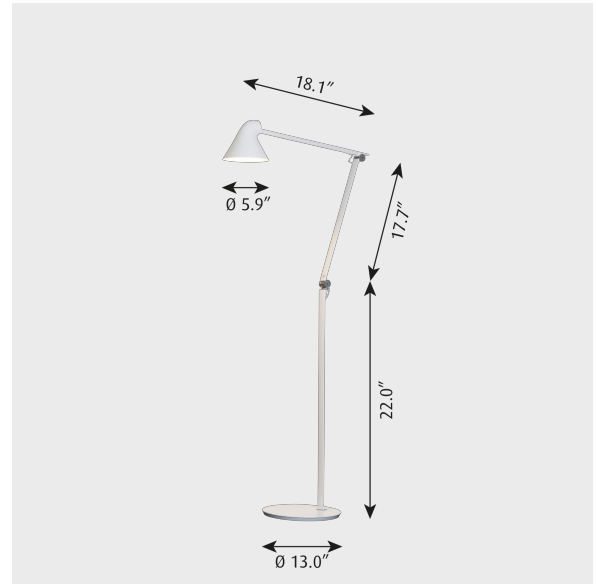


# NJP FLOOR

**Project name:**

**Project type:**

**Notes:**



## Design

nendo

## Variant options

**Color**

- Black
- Light aluminum grey
- White

**Light source**

- LED 2700K
- LED 3000K

**Lumen**

- 529
- 550

**Voltage frequency**

120V

### Weight

Min: 15.82 lbs Max: 15.82 lbs

### Finish

Black, Light aluminum grey, White

### Voltage

120V

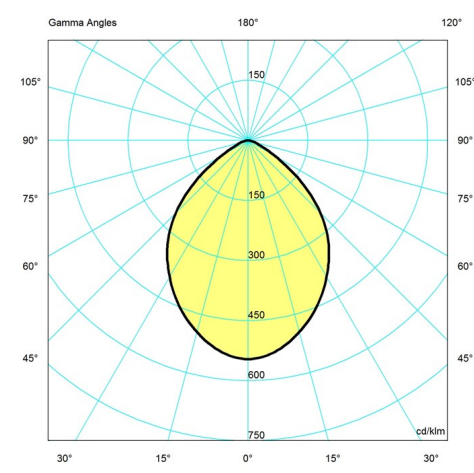
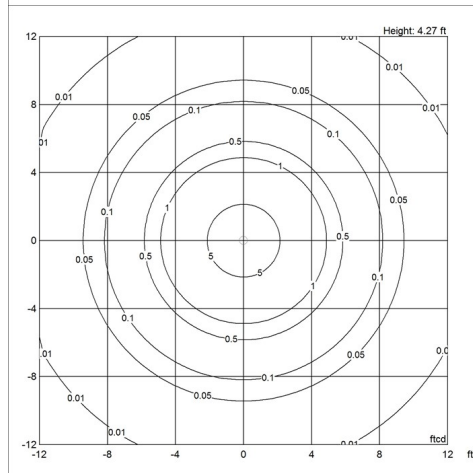
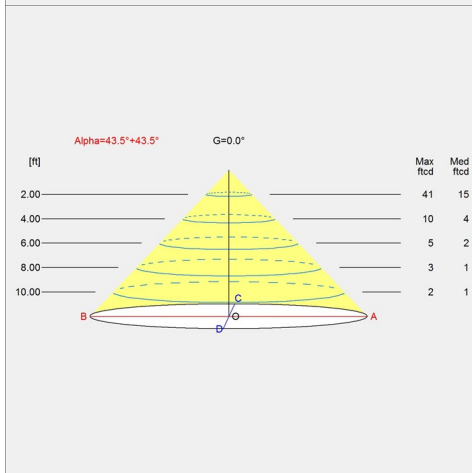
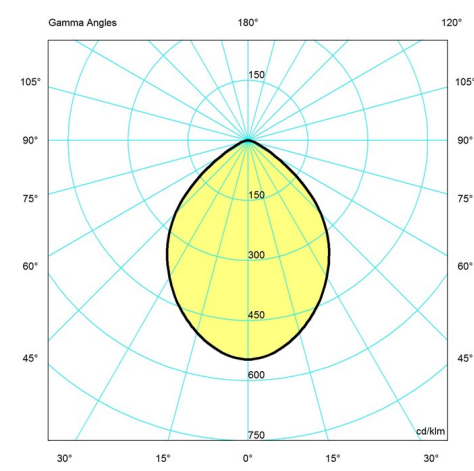
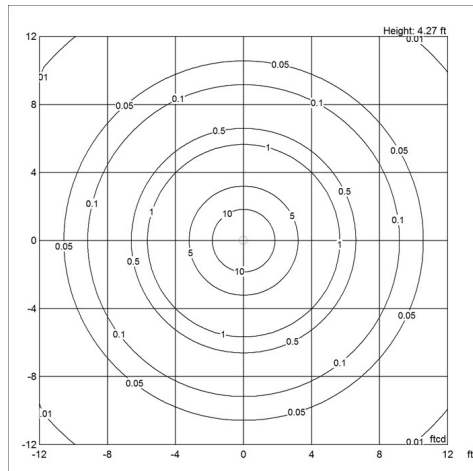
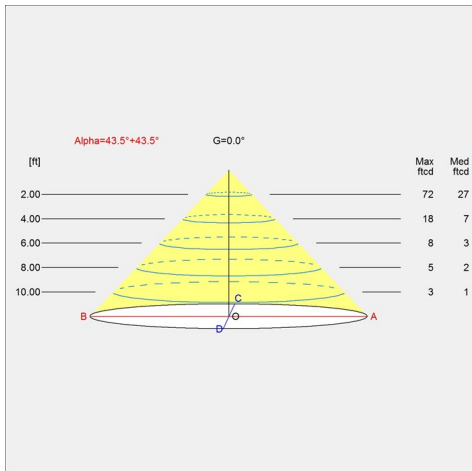
## Light distribution diagrams

For the full data set on all variants, see [louispoulsen.com](http://louispoulsen.com).

Cartesian

Isolux

Polar



## Variant options

Color	Light source	Lumen	Voltage frequency	Variant number
<input type="radio"/> White	LED 2700K	529	120V	10000135266
<input checked="" type="radio"/> Black	LED 2700K	529	120V	10000135264
<input checked="" type="radio"/> Black	LED 3000K	550	120V	10000135267
<input type="radio"/> White	LED 3000K	550	120V	10000135268
<input type="radio"/> Light aluminum grey	LED 3000K	550	120V	10000138380
<input type="radio"/> Light aluminum grey	LED 2700K	529	120V	10000142407